

**SAW Filter 165.740MHz**  
**Part No: MP05755**

**Model: TB1014A**  
**Rev No: 1**

**A. MAXIMUM RATING:**

Electrostatic Sensitive Device

1. Operating temperature range: -30°C to 65°C
2. Storage temperature range: -40°C to 85°C
3. Input Power Level: 10dBm
4. Maximum DC Voltage: 10V

**B. CHARACTERISTICS:**

Item	Unit	Min.	Typ.	Max.
Center frequency Fc	MHz	-	165.74	-
Insertion Loss IL	dB	-	11.2	16.0
1dB Band Width	MHz	27	30.6	
Amplitude Ripple Fc ± 12.5MHz	dB	-	0.4	1.0
Attenuation (Reference level from typical Insertion loss)				
50 ~ 143MHz	dB	40	48	
187MHz ~ 800MHz	dB	40	45	
Temperature Coefficient	ppm/°C	-	-94	-
Source Impedance	Ohm	-	50	-
Load Impedance	Ohm	-	50	-

**SAW Filter 165.740MHz**  
**Part No: MP05755**

**Model: TB1014A**  
**Rev No: 1**

**C. FREQUENCY CHARACTERISTICS:**

1. Narrow band Response: (span 200MHz)

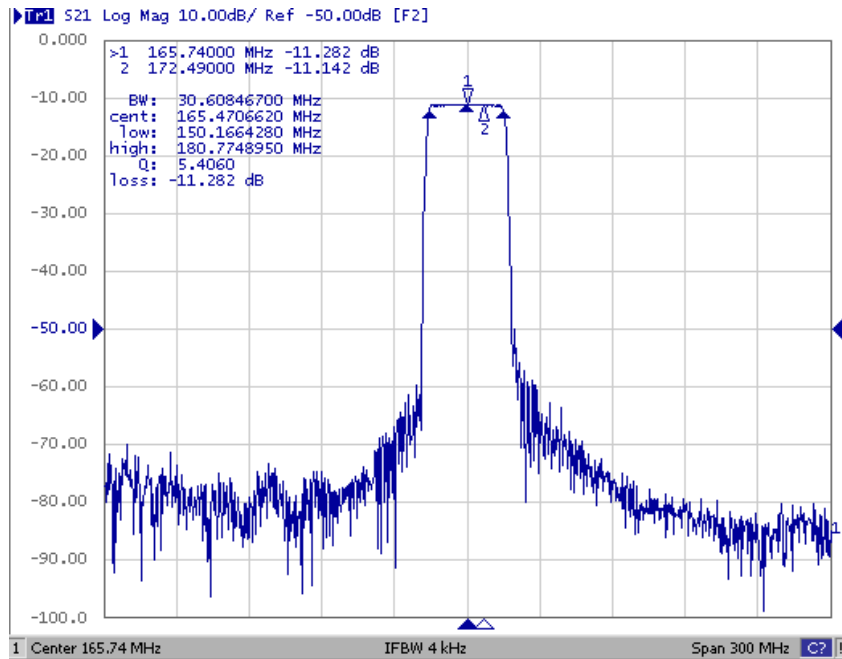


Fig. 1. Horizontal: 30MHz / Div, Vertical: 10dB / Div

2. Pass band Response and Group Time Delay response:

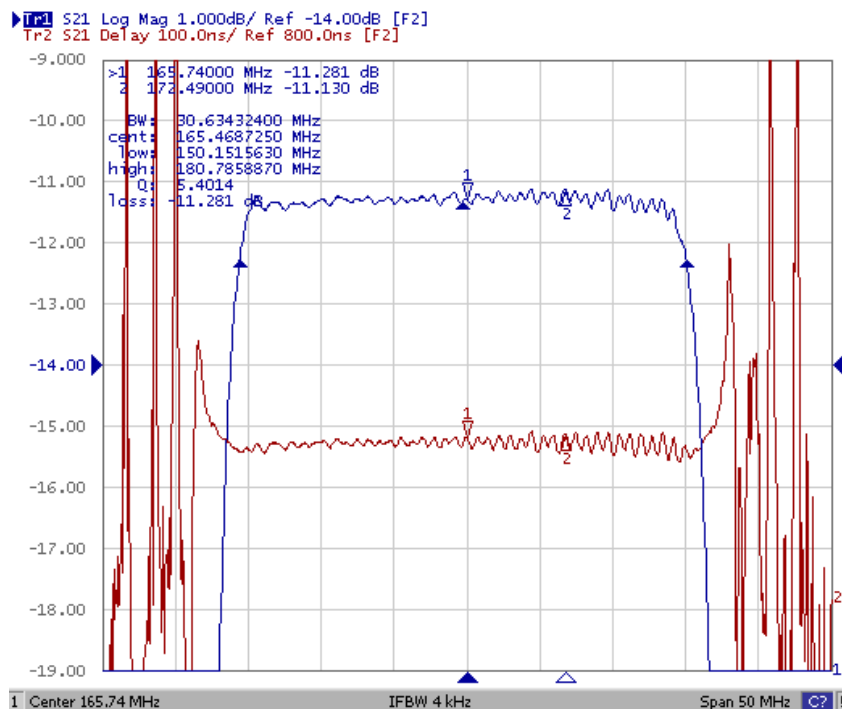


Fig. 2. Horizontal: 5MHz / Div, Vertical: 1dB / Div, Vertical: 100ns / Div

**SAW Filter 165.740MHz**  
**Part No: MP05755**

**Model: TB1014A**  
**Rev No: 1**

3. Wide band Response: (span 800MHz)

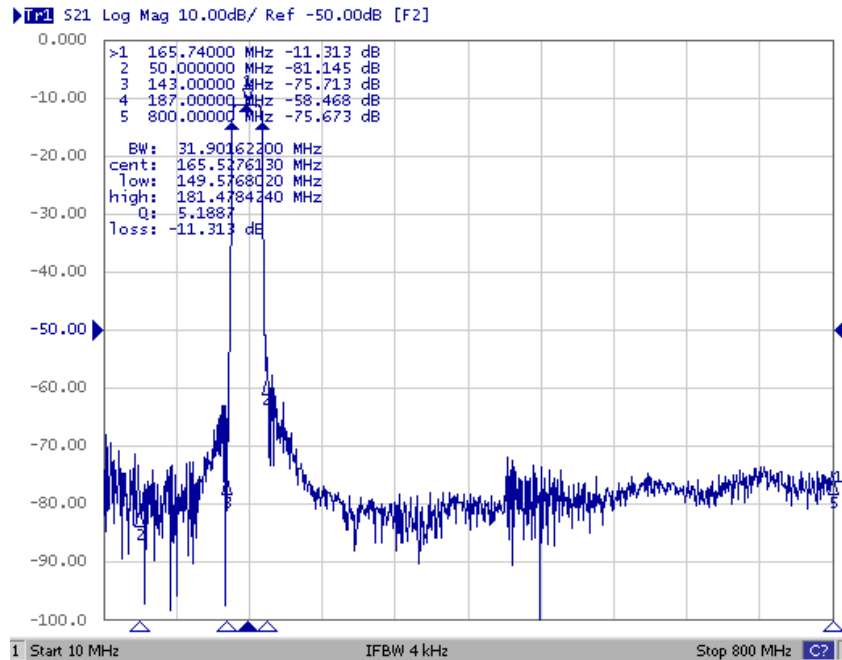
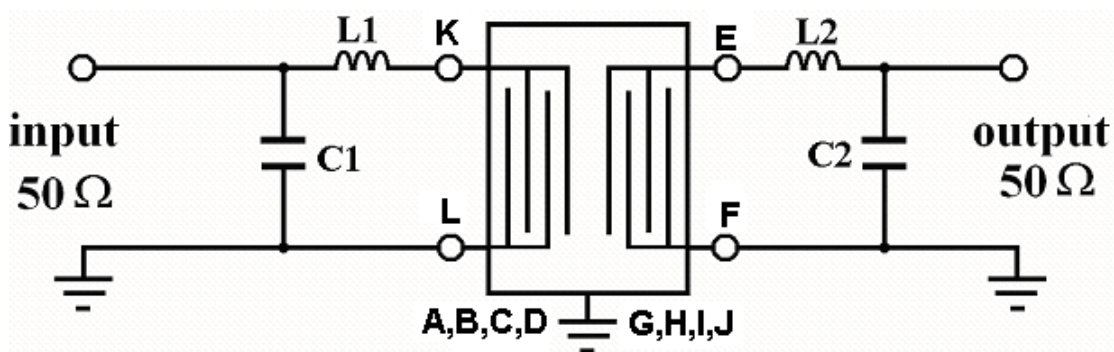


Fig. 3. Horizontal: 80MHz / Div, Vertical: 10dB / Div

**D. MATCHING CIRCUIT:**

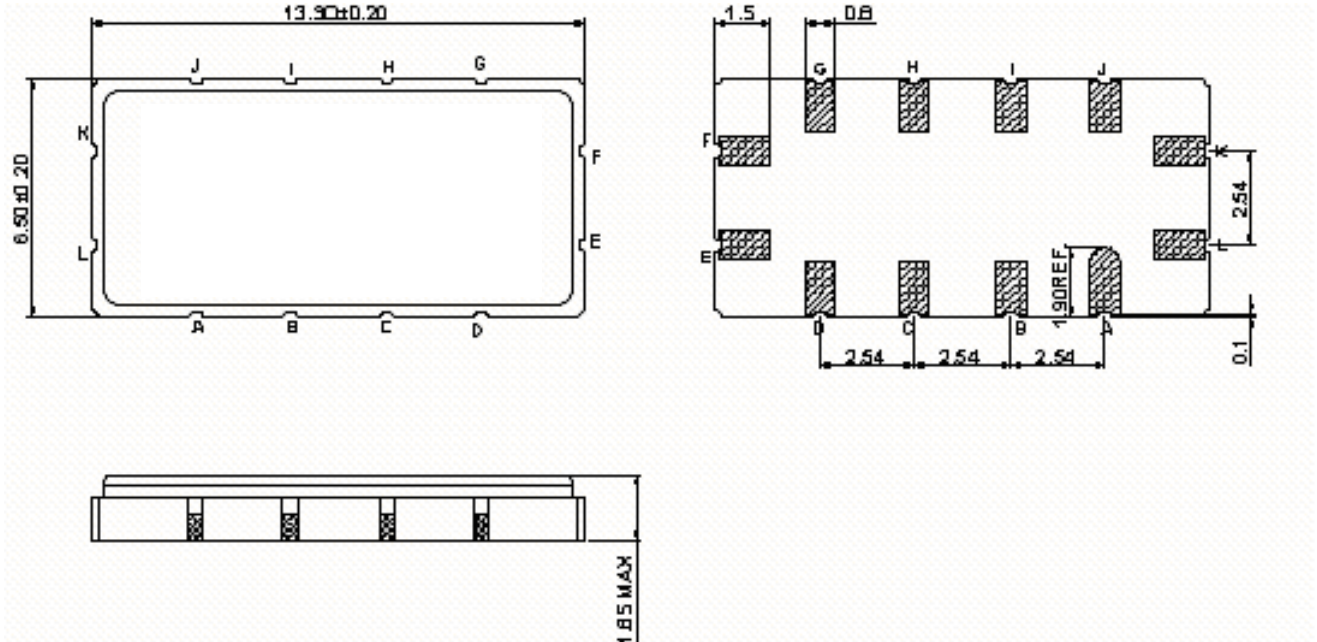


$L1 = 24\text{nH}$   $C1 = 39\text{pF}$   $L2 = 24\text{nH}$   $C2 = 36\text{pF}$

**SAW Filter 165.740MHz**  
**Part No: MP05755**

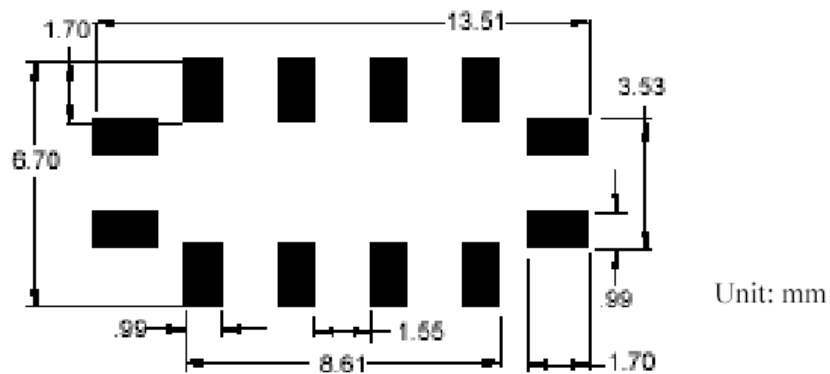
**Model: TB1014A**  
**Rev No: 1**

**E. OUTLINE DRAWING:**



- K: Input
  - L: Input Ground
  - E: Output
  - F: Output Ground
  - A, B, C, D, G, H, I, J: Ground
- Unit: mm

**F. PCB FOOTPRINT:**





**SAW Filter 165.740MHz**  
**Part No: MP05755**

**Model: TB1014A**  
**Rev No: 1**

**H. RECOMMENDED REFLOW PROFILE:**

